

SINGER
302W101,W206,W406

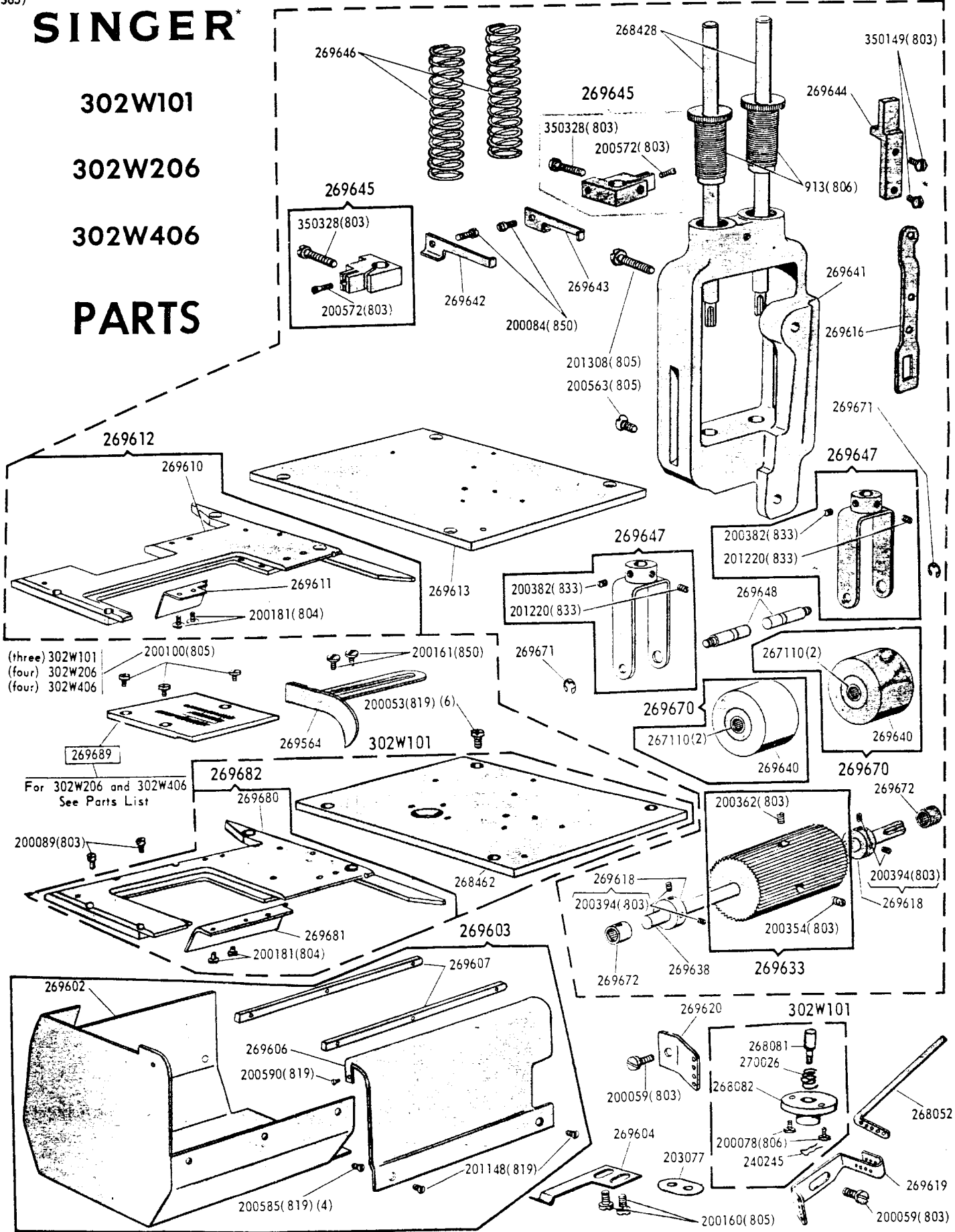
SINGER*

302W101

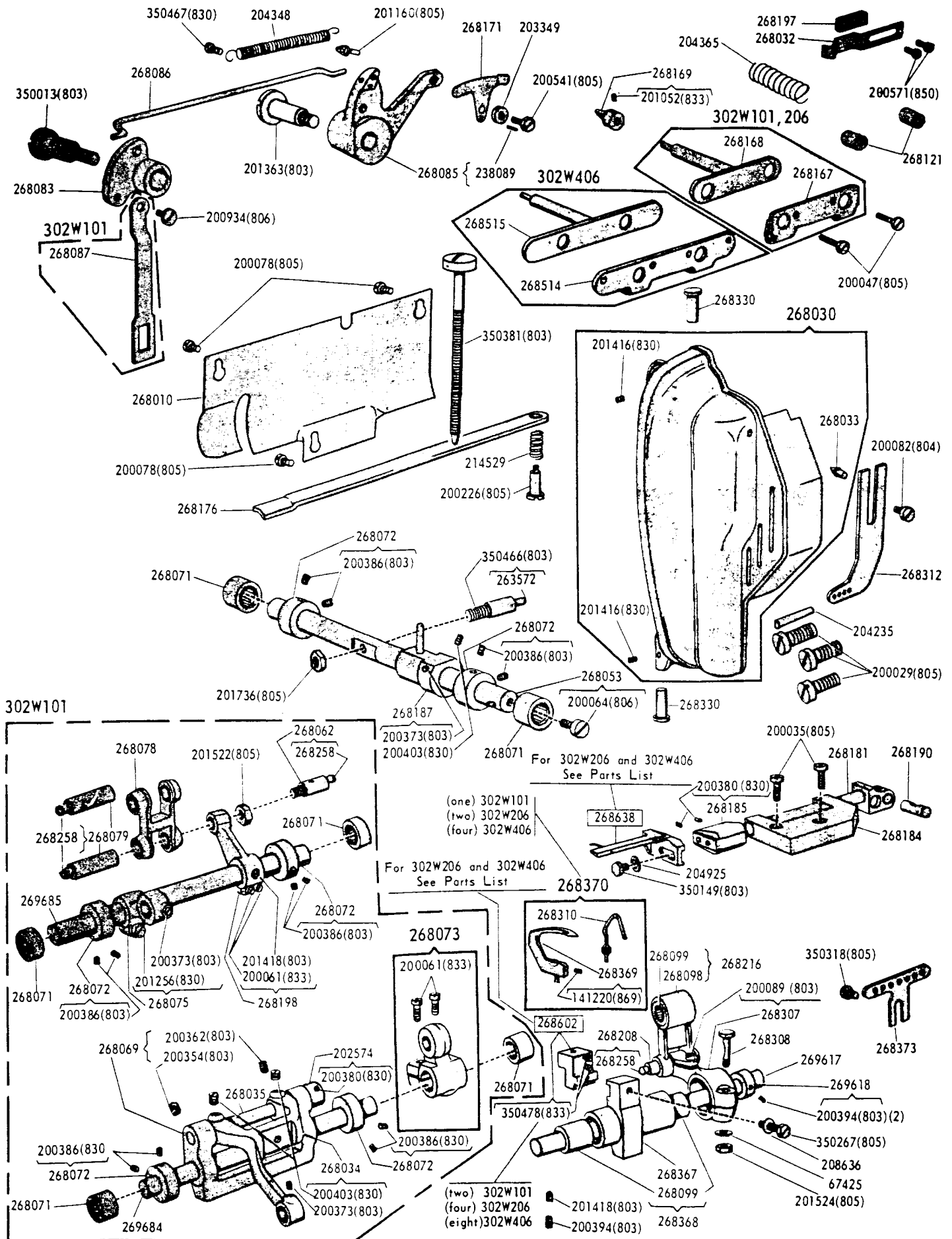
302W206

302W406

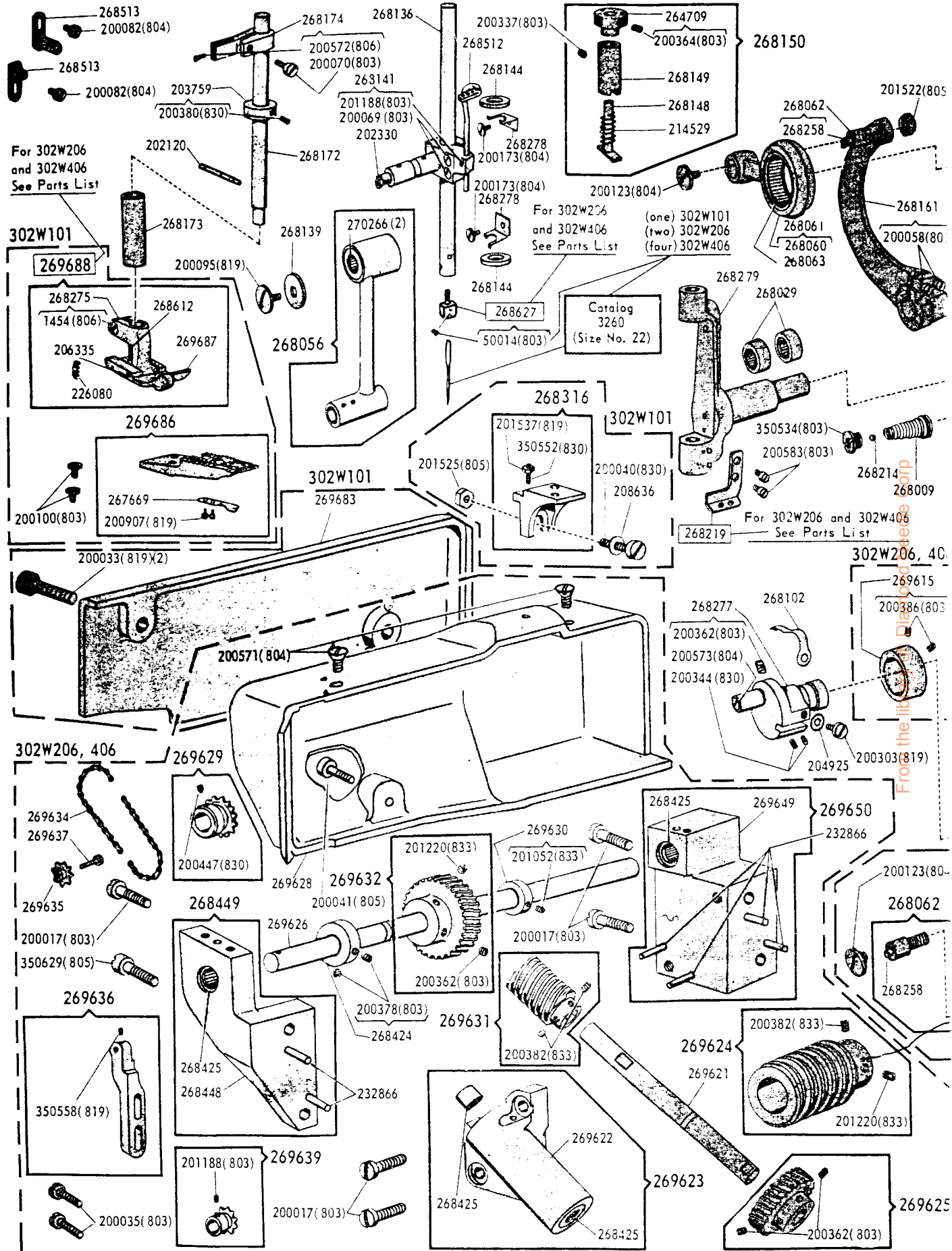
PARTS

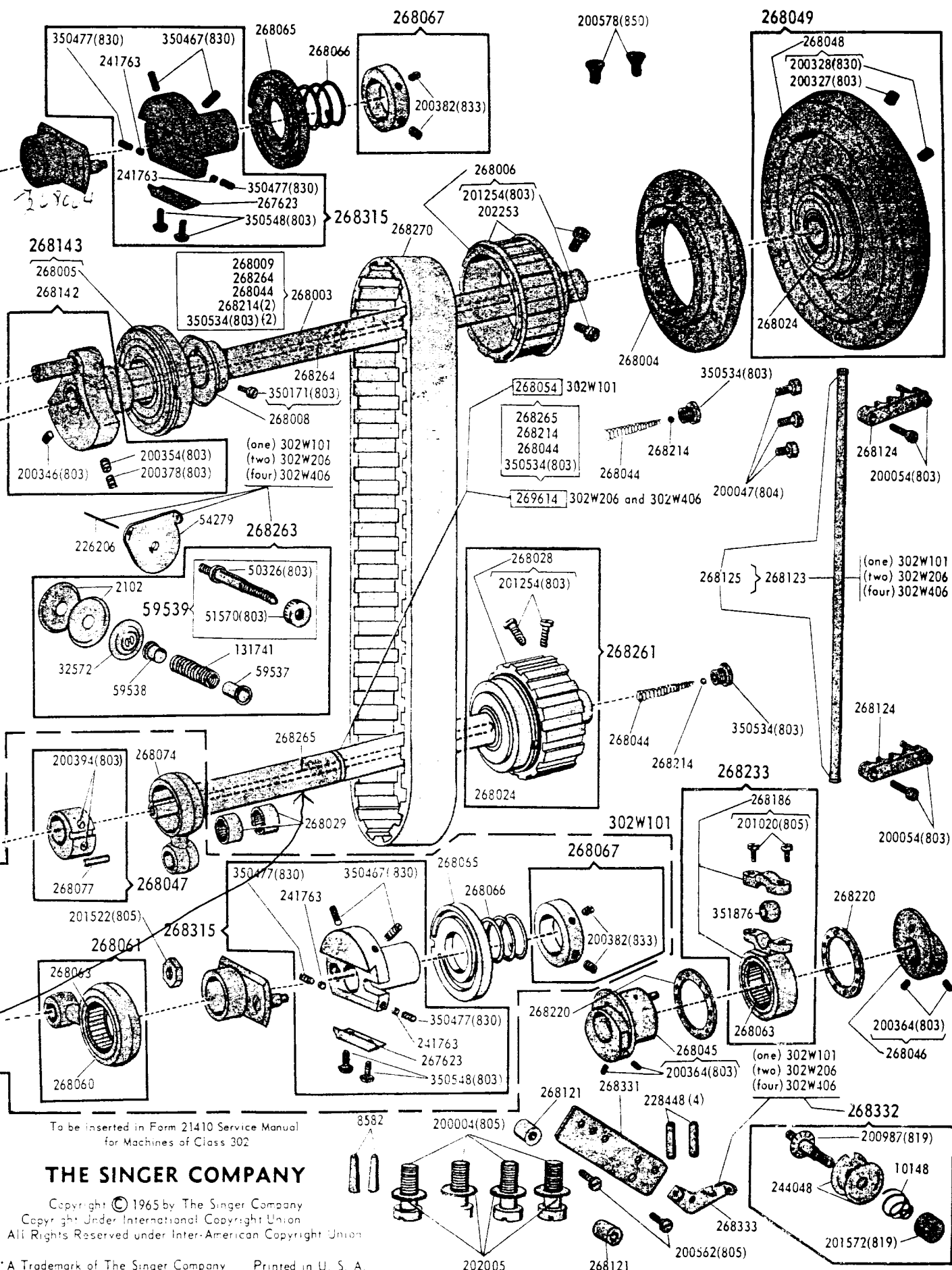


From the library of: Diamond Needle Corp



From the library of: Diamond Needle Corp





To be inserted in Form 21410 Service Manual for Machines of Class 302

THE SINGER COMPANY

Copyright © 1965 by The Singer Company
 Copyright Under International Copyright Union
 All Rights Reserved under Inter-American Copyright Union

*A Trademark of The Singer Company Printed in U. S. A.

From the library of: Diamond Needle Corp

NUMERICAL LIST OF PARTS MACHINES 302W101, 302W206 AND 302W406

NUMBER	DESCRIPTION	NUMBER	DESCRIPTION	NUMBER	DESCRIPTION	NUMBER	DESCRIPTION
1454(806)	Presser Foot Shank	200160(805)	Bed (elliptical)	200578(850)	Looper Thread Guide	204348	Foot Lifter Lever
2102	Pinch Screw (302W101)		Cover Lock Spring		(top of Arm) Bracket		Spring
Catalog	Needle Thread Tension	200161(850)	Screw(2)	200583(803)	Needle Bar Rock	204365	Needle Thread Tension
3260	Disc(2)	200173(804)	Needle Bar Oiling		Frame Thread Guide	204925	Releaser Spring
	Needle (62x57) Size No.	200181(804)	Felt Holder Screw(2)		Screw(2)		Looper Driving Crank
8582	22		Bed Plate (left)	200585(819)	Bed (elliptical) Cover	204925	Oil Hole Cover Screw
10148	Arm Position Pin(2)	200226(805)	Guard Screw(2)		Slide Bar Screw(4)	206335	Washer
	Looper Thread Tension	200303(819)	Presser Bar Spring	200590(819)	Bed (elliptical) Cover		Spreader Screw Washer
	Spring		Support Screw		Section (front) Screw		Presser Foot Hinge
32572	Needle Thread Tension	200327(803)	Looper Driving Crank		(upper)	208636	Pin (302W101)
	Releasing Disc		Oil Hole Cover Screw	200907(819)	Loop Deflector		Looper Halder Screw
50014(803)	Needle Set Screw	200328(830)	Machine Pulley Set		Screw(2) (302W101)	214529	Washer
50326(803)	Needle Thread Tension		Screw	200934(806)	Foot Lifter Lifting		Needle Bar Rock
	Stud	200337(803)	Machine Pulley		Link Hinge Screw	214529	Frame Regulating
51570(803)	Needle Thread Tension		Position Screw	200987(819)	Looper Thread Tension		Stud Spring
	Thumb Nut	200344(830)	Needle Bar Rock		Stud	226080	Presser Bar Spring
54279	Needle Thread Tension		Frame Regulating Stud	201020(805)	Spreader Driving		Cushion Spring
	Thread Guide (double)	200346(803)	Sleeve Set Screw		Connection Cap	226206	Presser Foot Plate
59537	Needle Thread Tension		Looper Driving Crank	201052(833)	Screw(2)		Spring (302W101)
	Spring Bushing (front)	200354(803)	Position Screw(2)		Needle Thread Tension	228448	Needle Thread Tension
59538	Needle Thread Tension		Needle Bar Crank	201148(819)	Releaser Cup Set		Releasing Pin
	Spring Bushing (back)	200362(803)	Set Screw		Screw	238089	Machine Locating Stud
59539	Needle Thread Tension		Needle Bar Crank	201160(805)	Bed (elliptical) Cover		(4)
	Stud 50326(803) with	200364(803)	Position Screw		Section (front) Screw	241763	Needle Thread Tension
	51570(803)		Looper Driving Crank		(lower)(2)		Releasing Plate Pin
67425	Looper Carrier Crank		Set Screw	201188(803)	Needle Thread Guide		Needle Bar Rock Frame
	Clamping Stud Nut	200373(803)	Needle Bar Rock		(on Needle Bar	244048	Driving Eccentric
	Washer		Frame Regulating Stud		Connecting Stud)		Friction Plate Screw
131741	Needle Thread Tension	200378(803)	Cap Set Screw	201254(803)	Arm Shaft Connection	263572	Set Screw Packing
	Spring		Spreader Driving		Belt Pulley Set		(brass) (2)
141220(869)	Needle Guard Set Screw		Eccentric Counter-	201254(803)	Screw(2)	264709	Looper Thread Tension
200004(805)	Arm Screw(4)	200380(830)	balance Set Screw(2)		Needle Bar Rock		Disc(2)
200029(805)	Arm Head Screw(3)		Spreader Driving	201254(803)	Frame Regulating Stud	267623	Cap with 200364(803)
200033(819)	Bed Side Cover (back)		Eccentric Set Screw(2)		Cap with 200364(803)		Needle Bar Rock Frame
	Screw(2) (302W101)	200386(803)	Spreader Driving	201363(803)	Needle Bar Rock		Driving Eccentric
200035(805)	Spreader Bar Bearing		Crank Position Screw		Frame Driving	267669	Friction Plate
	Screw(2)		Needle Bar Crank	201416(830)	Connection Hinge Stud		Loop Deflector
200047(804)	Arm Shaft Ball		Position Screw Check		Nut	268003	(302W101)
	Bearing (back) Housing	200388(833)	Screw	201418(803)	Looper Carrier Shaft		Arm Shaft with
	Screw(3)		Presser Bar Stop		Set Screw	268004	268009, 268044,
200047(805)	Needle Thread Tension		Collar Set Screw	201522(805)	Needle Bar Rock		268264, two each
	Bracket Screw(2)		Spreader Driving Rock		Frame Driving	268005	268214 and 350534(803)
200053(819)	Bed Plate Screw(6)	200386(803)	Shaft Collar Set		Connection Hinge Stud		Arm Shaft Ball Bearing
			Screw(4)	201524(805)	Nut	268005	(back) Housing
200054(803)	Looper Thread Tube		Looper Carrier Shaft		Looper Carrier Crank	268006	Arm Shaft Ball Bearing
	Clamp Screw(4)	200394(803)	Collar Set Screw(2)	201572(819)	Clamping Stud Nut		(front)
200058(803)	Needle Bar Rock Frame		Looper Carrier	201736(805)	Looper Thread Tension		Arm Shaft Connection
	Driving Arm Pinch	200394(803)	Shaft Set Screw Check		Thumb Nut	268008	Belt Pulley with two
	Screw(2)		Screw	202005	Spreader Driving Rock		each 201254(803) and
200059(803)	Looper Thread Guide		Spreader Driving	202120	Shaft Screw Stud Nut	268009	202253
	(on Bed) (on front)	200403(830)	Crank Set Screw	202253			Arm Shaft Oil Slinger
	Screw		Needle Thread Tension	202330	Arm Screw Washer(4)	268010	with 350171(803)
200059(803)	Looper Thread Guide	200541(805)	Releasing Plate Screw		Foot Lifter Lifting		Arm Shaft Oil Stop
	(on Bed) (under cover)		Looper Thread Tension	203077	Link Stop Pin	268010	Ball Spring (front)
	Screw	200562(805)	Bracket Screw(2)		Arm Shaft Connection		Arm Side Cover
200064(806)	Looper Thread Take-		Face Plate Lock	203349	Belt Pulley Spring	268024	Arm Shaft Ball
	up Rod Set Screw	200571(850)	Spring Screw(2)		Flange(2)		Bearing (back)
200069(803)	Needle Bar Connecting	200572(806)	Presser Bar Guide	203759	Needle Bar Connecting	268024	Bed Shaft Ball
	Stud Pinch Screw(2)		Bracket Adjusting		Stud Oil Packing (wick)		Bearing
200070(803)	Presser Bar Guide	200573(804)	Screw	204235	Bed (elliptical) Cover	268028	Bed Shaft Connection
	Bracket Pinch Screw		Looper Driving Crank		Lock Spring Screw		Belt Pulley with two
200078(805)	Arm Side Cover		Oil Stop Screw		Washer	268029	201254(803)
	Screw(3)				Needle Thread Tension		Bed Shaft Needle
200082(804)	Needle Thread Guide				Releasing Plate Screw	268029	Bearing(2)
	Screw(3)				Washer		Needle Bar Rock Frame
200089(803)	Bed Plate (left)				Presser Bar Stop	268030	Needle Bearing(2)
	Screw(2)				Collar with 200380(830)		Face Plate with
200089(803)	Looper Carrier Crank						268033 and two
	Hinge Pin Pinch Screw						201416(830)
200095(819)	Needle Bar Connecting						Face Plate Lock Spring
	Link Cap Washer Screw						
200100(805)	Throat Plate Screw						
200123(804)	Needle Bar Rock Frame						
	Driving Connection Cap						
	Screw						

NUMBER	DESCRIPTION	NUMBER	DESCRIPTION	NUMBER	DESCRIPTION	NUMBER	DESCRIPTION
268033	Face Plate Lock Stud	268099	Looper Carrier Needle Bearing(2)	268208	Looper Carrier Crank Hinge Pin with 268258	268369	Looper with 141220(869)
268044	Arm Shaft Oil Stop Ball Spring (rear)	268099	Looper Driving Connection Needle Bearing	268214	Arm Shaft Oil Stop Ball 5 32 in. diam.(2)	268370	Looper and Needle Guard complete, 268310 and 268369
268044	Bed Shaft Oil Stop Ball Spring	268102	Looper Driving Crank Oil Hole Cover	268214	Bed Shaft Oil Stop Ball 5 32 in. diam.	268373	Looper Thread Guide (on Bed or Looper)
268045	Spreader Driving Eccentric with two 200364(803)	268121	Looper Thread Tension Bracket Spacing Collar(2)	268216	Looper Driving Connection 268098 with 268099	268462	Bed Plate (right) (302W101)
268046	Spreader Driving Eccentric Counter-balance with two 200364(803)	268121	Looper Thread Tube with two 268125	268219	Needle Bar Rock Frame Thread Guide (302W101)	268512	Needle Thread Guide (on Needle Bar Connecting Stud)
268048	Machine Pulley (aluminum alloy casting) for "V" belt (outside diam of belt groove 2.9 in.) with 200327(803) and 200328(830)	268123	Looper Thread Tube Clamp(2)	268220	Spreader Driving Eccentric Thrust Washer(2)	268513	Needle Thread Guide (on side of Arm)(2)
268049	Machine Pulley 268048 with 268024	268124	Looper Thread Tube Thread Bushing(2)	268233	Spreader Driving Connection 268186 with 268063 and 351876	268514	Needle Thread Tension Bracket (302W406)
268052	Looper Thread Take-up Rod	268136	Needle Bar Needle Bar Connecting Link Cap Washer	268258	Looper Carrier Crank Hinge Pin Oil Packing (wick)	268515	Needle Thread Tension Releaser (302W406)
268053	Spreader Driving Rock Shaft with 200064(806)	268139	Needle Bar Connecting Stud with 201188(803), 202330 and two 200069(803)	268258	Needle Bar Rock Frame Driving Connection Hinge Stud Oil Packing (wick)	268602	Looper Holder with two 350478(833) (302W101)
268054	Bed Shaft with 268044, 268214, 268265, 350534(803), (302W101)	268141	Needle Bar Crank 268142 with 268005	268258	Bed Shaft Connection Belt Pulley 268028 with 268024	268612	Presser Foot Plate Heel Spring (302W101)
268056	Needle Bar Connecting Link with two 270266	268142	Needle Bar Oiling Felt(2)	268261	Needle Thread Tension complete, 32572, 59537, 59538, 59539, 131741 and two 2102	268627	Needle Holder with 50014(803) (302W101)
268060	Needle Bar Rock Frame Driving Connection	268143	Needle Bar Rock Frame Regulating Stud	268263	Arm Shaft Oil Control Rod (wood)	268638	Spreader with Point (302W101)
268061	Needle Bar Rock Frame Driving Connection 268060 with 268063	268144	Needle Bar Rock Frame Regulating Stud Sleeve	268264	Bed Shaft Oil Control Rod (wood)	269564	Edge Guide
268062	Needle Bar Rock Frame Driving Connection Hinge Stud with 268258	268148	Needle Bar Rock Frame Driving Arm with two 200058(803)	268265	Arm Shaft Connection Belt (reinforced neoprene)	269602	Bed (elliptical) Cover with Lock Stud
268063	Needle Bar Rock Frame Driving Connection Needle Bearing	268149	Needle Thread Tension Bracket (302W101, 206)	268270	Presser Foot Shank with 1454(806) (302W101)	269603	Bed (elliptical) Cover complete, 200590(819), 269602, 269606, two each 201148(819), 269607 and four 200585(819)
268063	Spreader Driving Connection Needle Bearing	268150	Needle Thread Tension Releaser (302W101, 206)	268275	Looper Driving Crank with 200362(803), 200573(804) and two 200344(830)	269604	Bed (elliptical) Cover Lock Spring
268065	Needle Bar Rock Frame Driving Eccentric Adjusting Disc	268161	Needle Thread Tension Releasing Plate (Adjustable)	268277	Needle Bar Oiling Felt Holder(2)	269606	Bed (elliptical) Cover Section (front)
268066	Needle Bar Rock Frame Driving Eccentric Adjusting Disc Spring	268167	Presser Bar Presser Bar Bushing	268279	Needle Bar Rock Frame	269607	Bed (elliptical) Cover Slide Bar(2)
268067	Needle Bar Rock Frame Driving Eccentric Adjusting Disc Spring Collar with two 200382(833)	268168	Presser Bar Guide Bracket with 200070(803) and 200572(806)	268307	Looper Carrier Crank with 200089(803)	269610	Bed Plate (left) (302W206, 406)
268071	Spreader Driving Rock Shaft Needle Bearing(2)	268169	Presser Bar Spring	268308	Looper Carrier Crank Clamping Stud	269611	Bed Plate (left) Guard (302W206, 406)
268072	Spreader Driving Rock Shaft Collar with two 200386(803)(2)	268171	Spreader Bar	268310	Needle Guard	269612	Bed Plate (left) and Guard complete, 269610, 269611 and two 200181(804) (302W206, 406)
268083	Foot Lifter Bell Crank	268172	Spreader Bar Bearing	268312	Needle Thread Guide (on Arm Head)	269613	Bed Plate (right) (302W206, 406)
268085	Foot Lifter Lever with 238089	268173	Spreader Holder with two 200380(830)	268315	Needle Thread Guide (on Bed)	269614	Bed Shaft with 268044, 268214, 268265, 350534(803) (302W206, 406)
268086	Foot Lifter Lever Rod	268174	Spreader Driving Connection with two 201020(805)	268330	Looper Thread Tension Bracket (302W101, 206)	269615	Bed Shaft Thrust Collar with two 200386(803), (302W206, 406)
268087	Foot Lifter Lifting Link (302W101)	268176	Spreader Driving Crank with 200373(803) and 200403(830)	268331	Looper Thread Tension Bracket	269616	Foot Lifter Lifting Link (302W206, 406)
268098	Looper Driving Connection	268184	Spreader Driving Crank with 200373(803) and 200403(830)	268332	Looper Thread Tension Bracket	269617	Looper Carrier Shaft
		268185	Face Plate Lock Spring Plate	268333	Looper Thread Tension Bracket	269618	Looper Carrier Shaft Collar with two 200394(803)
				268367	Looper Thread Tension Thread Guide	269619	Looper Thread Guide (on Bed) (on front)
				268368	Looper Carrier	269620	Looper Thread Guide (on Bed) (under cover)
					Looper Carrier	269680	Bed Plate (left) (302W101)
					268367 with two 268099	269681	Bed Plate (left) Guard (302W101)

NUMBER	DESCRIPTION	NUMBER	DESCRIPTION	NUMBER	DESCRIPTION	NUMBER	DESCRIPTION
269682	Bed Plate (left) and Guard complete, 269680, 269681 and two 200181(804) (302W101)	269689	Throat Plate, for 269686 (302W101)	350381(803)	Presser Bar Spring Adjusting Screw	350478(833)	Looper Adjusting Screw
		270266	Needle Bar Connecting Link Needle Bearing(2)	350466(803)	Spreader Driving Rock Shaft Screw Stud with 263572	350478(833)	Looper Set Screw
269683	Bed Side Cover (back) (302W101)	350013(803)	Foot Lifter Bell Crank Hinge Screw	350467(830)	Needle Bar Rock Frame Driving Flange Set Screw(2)	350534(803)	Arm Shaft Oil Stop Ball Screw(2)
269687	Presser Foot Plate (302W101)	350149(803)	Spreader Screw	350467(830)	Presser Bar Spring Adjusting Screw Set Screw	350534(803)	Bed Shaft Oil Stop Ball Screw
269688	Presser Foot (spring hinged) complete, 40 needle hole, 206335, 226080, 268275, 268612 and 269687 (302W101)	350171(803)	Arm Shaft Oil Slinger Set Screw	350477(830)	Needle Bar Rock Frame Driving Eccentric Friction Plate Screw Set Screw(2)	350548(803)	Needle Bar Rock Frame Driving Eccentric Friction Plate Screw(2)
		350267(805)	Looper Holder Screw			351876	Spreader Driving Rock Shaft Screw Stud Ball Roller
		350318(805)	Looper Thread Guide (on Bed at Looper) Screw				

FITTINGS

STANDARD GAUGES	LOOPER HOLDER	NEEDLE BAR ROCK FRAME THREAD GUIDE	NEEDLE HOLDER	PRESSER FOOT (COMPLETE)	SPREADER	THROAT PLATE
302W206						
3/4"	268105	268255	268154	269574	268376	269597
7/8"	268105	268255	268154	269574	268376	269651
1"	268106	268256	268156	269574	268377	269598
1-1/4"	268107	268268	268157	269577	268378	269597
1-3/8"					268378	269651
1-1/2"	268107	268268	268157	269577	268378	269598
1-3/4"	268282	268304	268158	269577	268379	269597
2"	268282				268379	
302W406						
1/4, 1/4, 1/4"	269065	269138	269191	269237	269342	269597
5/16, 5/16, 5/16"	269065	269138	269192	269237	269342	269652
3/8, 3/8, 3/8"	269065	269138	269192	269237	269342	269652
1/2, 1/2, 1/2"	269065	269138	269193	269240	269342	269598
1/4, 1/4, 1/4"	269065	269138	269193	269240	269342	269598

When Ordering Fittings, State Gauge Required.

302W101 DROP FEED PARTS

NUMBER	DESCRIPTION	NUMBER	DESCRIPTION	NUMBER	DESCRIPTION	NUMBER	DESCRIPTION
200040(830)	Feed Dog Shank Screw	200382(833)	Feed Driving Eccentric Adjusting Disc Spring Collar Set Screw(2)	201525(805)	Feed Dog Shank Screw Lock Nut	268047	Feed Lifting Eccentric with 268077 and two 200394(803)
200061(833)	Feed Driving Rock Shaft Crank Pinch Screw(2)	200386(830)	Feed Driving Rock Shaft Collar Set Screw(4)	201537(819)	Feed Dog Shank Adjusting Screw Lock Nut	268060	Feed Driving Connection
200061(833)	Feed Lifting Rock Shaft Crank Pinch Screw(2)	200386(803)	Feed Lifting Rock Shaft Collar Set Screw(4)	202574	Feed Bar Hinge Pin Collar with 200380(830)	268061	Feed Driving Connection 268060 with 268063
200078(806)	Feed Regulating Stud Socket Screw(2)	200394(803)	Feed Lifting Eccentric Set Screw(2)	208636	Feed Dog Shank Screw Washer	268062	Feed Driving Connection Hinge Stud with 268258
200100(803)	Feed Dog Screw(2)	200403(830)	Feed Bar Set Screw(2)	240245	Feed Regulating Stud Retaining Spring	268062	Feed Driving Connection Hinge Stud with 268258
200123(804)	Feed Driving Connection Cap Screw	201256(830)	Feed Lifting Crank Pinch Screw	241763	Feed Driving Eccentric Friction Plate Screw Set Screw	268062	Feed Lifting Connection Hinge Stud with 268258
200354(803)	Feed Driving Rock Frame Position Screw	201418(803)	Feed Lifting Rock Shaft Crank Position Screw	267623	Feed Driving Eccentric Friction Plate	268063	Feed Driving Connection Needle Bearing
200362(803)	Feed Driving Rock Frame Set Screw	201522(805)	Feed Driving Connection Hinge Stud Nut	268034	Feed Bar with 200373(803) and two 200403(830)	268065	Feed Driving Eccentric Adjusting Disc
200373(803)	Feed Lifting Link Hinge Pin Set Screw (2)	201522(805)	Feed Lifting Connection Hinge Stud Nut	268035	Feed Bar Hinge Pin		

NUMBER	DESCRIPTION	NUMBER	DESCRIPTION	NUMBER	DESCRIPTION	NUMBER	DESCRIPTION
268066	Feed Driving Eccentric Adjusting Disc Spring	268073	Feed Driving Rock Shaft Crank with two 200061(833)	268198	Feed Lifting Rock Shaft Crank with 201418(803) and two 200061(833)	269684	Feed Driving Rock Shaft
268067	Feed Driving Eccentric Adjusting Disc Spring Collar with two 200382(833)	268074	Feed Lifting Connection	268258	Feed Driving Connection Hinge Stud Oil Packing (wick)	269685	Feed Lifting Rock Shaft
268069	Feed Driving Rock Frame with 200354(803) and 200362(803)	268075	Feed Lifting Crank with 200373(803) and 201256(830)	268258	Feed Lifting Connection Hinge Stud Oil Packing (wick)	269686	Feed Dog, 40 needle hole, with 267669 and two 200907(819) for 269689
268071	Feed Driving Rock Shaft Needle Bearing(2)	268077	Feed Lifting Eccentric Lubricating Pad (wood)	268258	Feed Lifting Link Hinge Pin Oil Packing (wick)(2)	270026	Feed Regulating Stud Spring
268071	Feed Lifting Rock Shaft Needle Bearing(2)	268078	Feed Lifting Link	268315	Feed Driving Flange with 267623, two each 241763, 350467(830), 350477(830) and 350548(803)	350467(830)	Feed Driving Flange Set Screw(2)
268072	Feed Driving Rock Shaft Collar with two 200386(830)(2)	268079	Feed Lifting Link Hinge Pin with 268258(2)	268316	Feed Dog Shank with 201537(819) and 350552(830)	350477(830)	Feed Driving Eccentric Friction Plate Screw Set Screw(2)
268072	Feed Lifting Rock Shaft Collar with two 200386(803)(2)	268081	Feed Regulating Stud			350548(803)	Feed Driving Eccentric Friction Plate Screw(2)
		268082	Feed Regulating Stud Socket			350552(830)	Feed Dog Shank Adjusting Screw

302W206/406, PULLER FEED PARTS

NUMBER	DESCRIPTION	NUMBER	DESCRIPTION	NUMBER	DESCRIPTION	NUMBER	DESCRIPTION
913(806)	Puller Feed Roll (upper) Bar Spring Adjusting Screw(2)	200572(803)	Puller Feed Roll (upper) Bar Position Bracket Adjusting Screw(2)	269622	Puller Feed Cross Shaft Bracket	269640	Puller Feed Roll (upper)(2)
200017(803)	Puller Feed Cross Shaft Bracket Screw(2)	201052(833)	Puller Feed Driving Shaft Thrust Collar Set Screw	269623	Puller Feed Cross Shaft Bracket 269622 with two 268425	269641	Puller Feed Roll (upper) Bar Bracket
200017(803)	Puller Feed Driving Shaft Bracket Screw(3)	201188(803)	Puller Feed Roll (lower) Shaft Sprocket Set Screw	269624	Puller Feed Cross Shaft Worm Gear with two 200362(803)	269642	Puller Feed Roll (upper) Bar Lifter Arm (left)
200035(803)	Puller Feed Roll (lower) Chain Idler Sprocket Bracket Screw(2)	201220(833)	Puller Feed Cross Shaft Worm Position Screw	269625	Puller Feed Driving Shaft	269643	Puller Feed Roll (upper) Bar Lifter Arm (right)
200041(805)	Puller Feed Driving Shaft Cover Screw (lower)	201220(833)	Puller Feed Driving Shaft Worm Gear Position Screw	269626	Puller Feed Driving Shaft Cover	269644	Puller Feed Roll (upper) Bar Lifter Arm Block
200084(850)	Puller Feed Roll (upper) Bar Lifter Arm Screw(2)	201220(833)	Puller Feed Roll (upper) Bracket Position Screw(2)	269628	Puller Feed Driving Shaft Sprocket with 200447(830)	269645	Puller Feed Roll (upper) Bar Position Bracket with 200572(803) and 350328(803)(2)
200354(803)	Puller Feed Roll (lower) Position Screw	201308(805)	Puller Feed Roll (upper) Bar Bracket Screw (upper)	269629	Puller Feed Driving Shaft Thrust Collar with 201052(833)	269646	Puller Feed Roll (upper) Bar Spring(2)
200362(803)	Puller Feed Cross Shaft Worm Gear Set Screw(2)	232866	Puller Feed Cross Shaft Bracket Position Pin(2)	269630	Puller Feed Driving Shaft Sprocket with 200382(833) (for 9 stitches per inch)	269647	Puller Feed Roll (upper) Bracket with 200382(833) and 201220(833)(2)
200362(803)	Puller Feed Driving Shaft Worm Gear Set Screw	232866	Puller Feed Driving Shaft Bracket Position Pin(4)	269631	Puller Feed Driving Shaft Worm Gear with 200362(803) and 201220(833) (for 9 stitches per inch)	269648	Puller Feed Roll (upper) Shaft(2)
200362(803)	Puller Feed Roll (lower) Set Screw	267110	Puller Feed Roll (upper) Needle Bearing(4)	269632	Puller Feed Roll (lower) with 200354(803) and 200362(803)	269649	Puller Feed Driving Shaft Bracket (right)
200378(803)	Puller Feed Driving Shaft Collar Set Screw(2)	268424	Puller Feed Driving Shaft Collar with two 200378(803)	269633	Puller Feed Roll (lower) Chain Idler Sprocket Bracket with 350558(819)	269650	Puller Feed Driving Shaft Bracket 269649 with 268425 (Needle Bearing on left)
200382(833)	Puller Feed Cross Shaft Worm Set Screw	268425	Puller Feed Cross Shaft Needle Bearing(2)	269634	Puller Feed Roll (lower) Chain Idler Sprocket Bracket with 350558(819)	269670	Puller Feed Roll (upper) 269640 with two 267110(2)
200382(833)	Puller Feed Driving Shaft Worm Set Screw(2)	268425	Puller Feed Driving Shaft Needle Bearing(2)	269635	Puller Feed Roll (lower) Chain Idler Sprocket Bracket with 350558(819)	269671	Puller Feed Roll (upper) Shaft Retaining Ring(2)
200382(833)	Puller Feed Roll (upper) Bracket Set Screw(2)	268428	Puller Feed Roll (upper) Bar(2)	269636	Puller Feed Roll (lower) Shaft Sprocket Pin Set Screw	269672	Puller Feed Roll (lower) Shaft Needle Bearing(2)
200394(803)	Puller Feed Roll (lower) Shaft Collar Set Screw(4)	268448	Puller Feed Driving Shaft Bracket	269637	Puller Feed Roll (lower) Shaft Sprocket Pin	350149(803)	Puller Feed Roll (upper) Bar Lifter Arm Block Screw(2)
200447(830)	Puller Feed Driving Shaft Sprocket Set Screw	268449	Puller Feed Driving Shaft Bracket 268448 with 268425	269638	Puller Feed Roll (lower) Shaft Collar with two 200394(803)(2)	350328(803)	Puller Feed Roll (upper) Bar Position Bracket Pinch Screw(2)
200563(805)	Puller Feed Roll (upper) Bar Bracket Screw (lower)	269618	Puller Feed Roll (lower) Shaft Collar with two 200394(803)(2)	269639	Puller Feed Cross Shaft	350558(819)	Puller Feed Roll (lower) Chain Idler Sprocket Pin Set Screw
200571(804)	Puller Feed Driving Shaft Cover Screw (upper)(2)	269621	Puller Feed Cross Shaft			350629(805)	Puller Feed Driving Shaft Bracket Screw (lower)